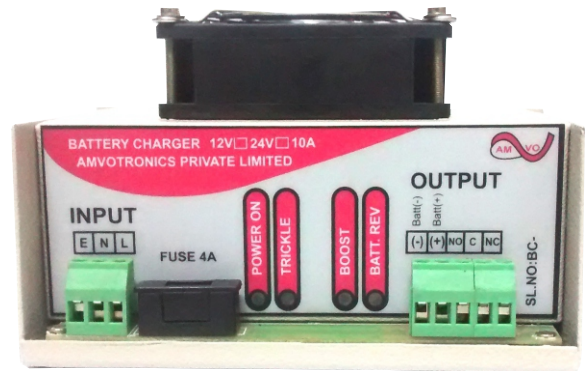


BATTERY CHARGERS

INPUT VOLTAGE : 230V AC
OUTPUT RATINGS : 12V DC / 10 AMPS
24V DC / 10 AMPS

Operating Temperature : 20° to 70°c



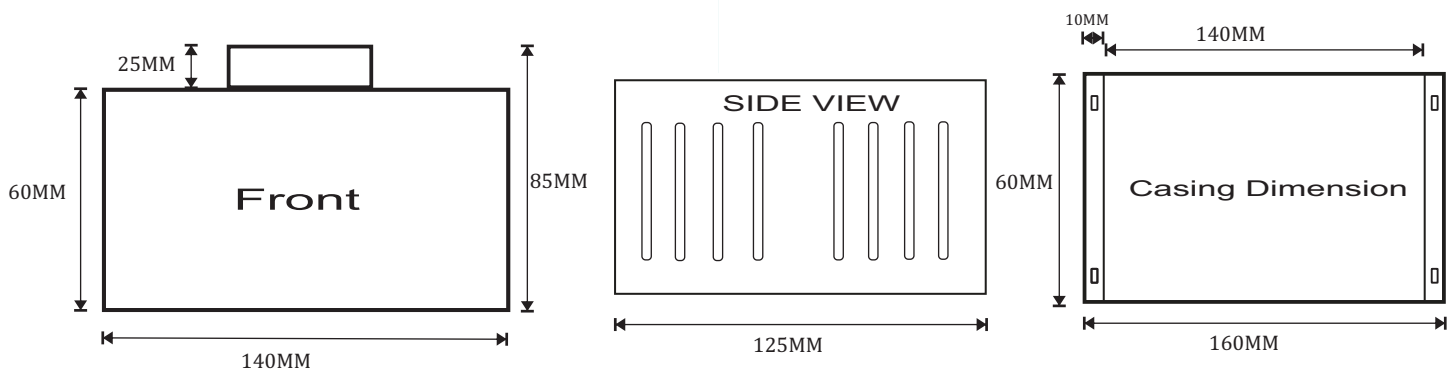
Features

- ✦ Maintain constant voltage through out the line voltage variation
- ✦ High Efficiency
- ✦ Dimension : 140mm(L)*85mm(H)*125mm(D) only for 10 AMPS

Description:

- ✦ Input Voltage Range : Supply voltage should be 180V AC to 260V AC .Green LED is used for POWER ON indication
- ✦ Short Circuit Protection : Our battery charger protects against short circuit, if battery polarity + and - get shorted, Charger and Battery will not get affected.
- ✦ Battery Reverse Protection : If the battery polarity is reversed while connecting with battery charger ,The charger will not get damage. Red LED is used for BATTERY REVERSE indication.
- ✦ Trickle Mode : If battery gets fully charged, it goes on trickle mode.Green LED is used for TRICKLE MODE indication.
- ✦ Boost Mode : While the battery is getting charge, it will be in boost mode.Red LED is used for BOOST MODE indication.

CASING DIMENSION



AMVOTRONICS PRIVATE LIMITED
MANUFACTURERS OF ELECTRICAL RELAY