

EARTH LEAKAGE RELAY

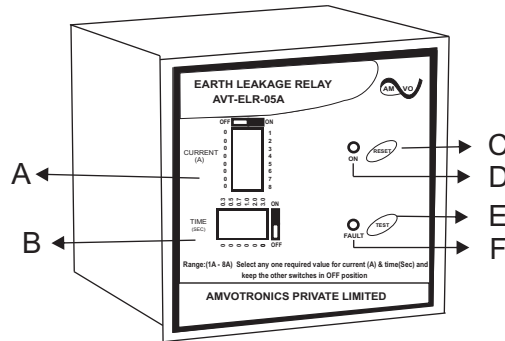
EARTH LEAKAGE RELAY



SETTING RANGES	:	Current
Model AVT-ELR-05A	:	1A to 8A
Model AVT-ELR-06A	:	30mA to 300mA
Model AVT-ELR-08A	:	300mA to 3000mA
Delay Time	:	0.3 to 3.0 sec
Auxiliary Supply	:	185-250 VAC

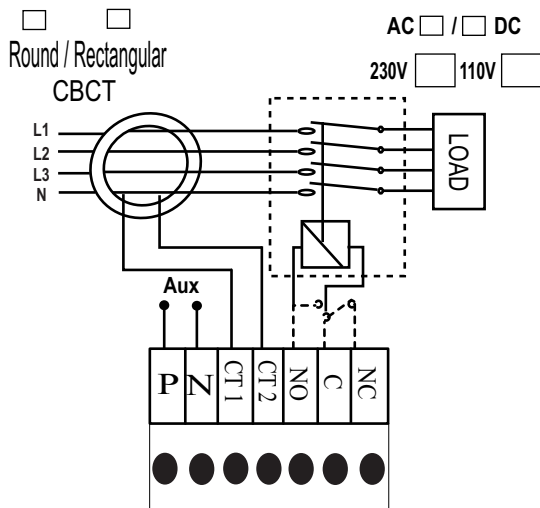
APPLICATION

- * Industrial equipment protection
- * Suitable for low voltage distribution protection

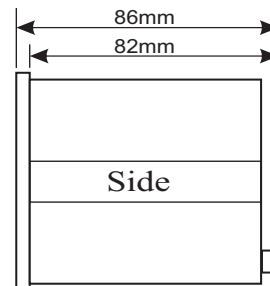
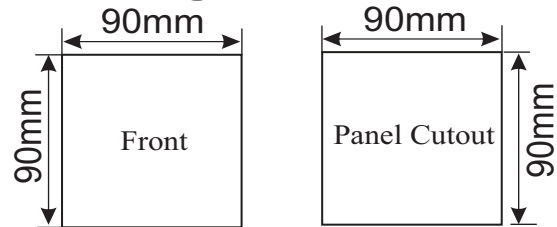


- A - DIP Switches for Current setting
- B - DIP Switches for Delay setting
- C - Reset button
- D - Power ON Indication
- E - Test button for testing the healthy of relay
- F - Fault indication LED

Connection Diagram



Casing Dimensions



AMVOTRONICS PRIVATE LIMITED
 MANUFACTURERS OF ELECTRICAL RELAY