



AMVOTRONICS PRIVATE LIMITED

MANUFACTURERS OF ELECTRICAL RELAY

VOLTAGE MONITORING RELAY(3P, 4W)

Voltage monitoring devices provide under voltage as well as over voltage protection. Also, it protects against voltage related issues like phase loss, Phase Sequence and Phase Asymmetry.

Supply Voltage (Φ) : 240V AC (3 Phase, 4 Wire)

Frequency : 50 Hz

Power Consumption (max) : 5 VA.

Trip Settings : Phase Loss - Yes

Phase Sequence - Yes

Phase Asymmetry - 10% (of Φ)

Under Voltage - 55% to 95% (of Φ)

Over Voltage - 105% to 125% (of Φ)

Hysteresis - 7V% (2.5V)

Trip Delay

On Delay - 0.5 to 15 Sec (Selectable)

Trip Time (Off Delay) - 5 Sec

Output

Relay Output - 1C/O or 2C/O.

Contact Rating - 5A @ 240V AC/12V DC (Resistive)

Electrical Life - 1×10^5 .

Mechanical Life - 3×10^6 .

Operating Temperature : -15 C to +55 C

Storage Temperature : -25 C to +70 C

Humidity (Non Condensing) - 95% (Rb)

Mounting - Dinrail

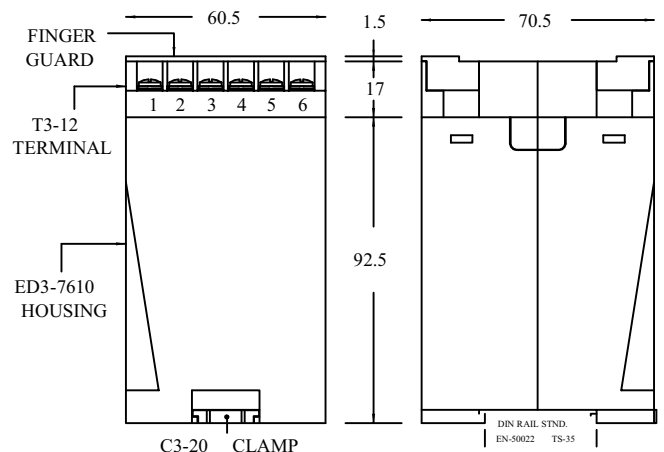
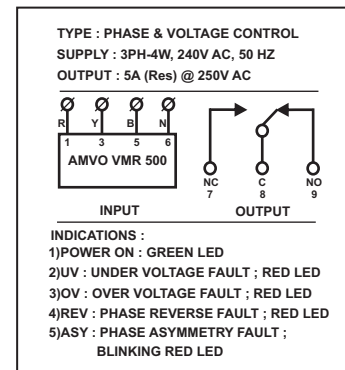
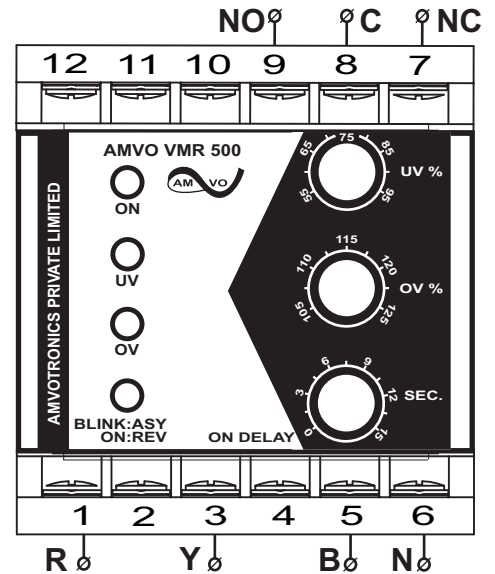
Dimension (W*H*D) in mm - 60.5*109.5*70.5

Weight - 180 Grams.

Degree of protection - IP 20 for Terminal, IP 40 for Enclosure.

Indication - Separate Indications for Power On, UV and OV. ON:

Phase Reverse; Blink : Phase Asymmetry.



👉 One year warranty will be provided from the date of manufacturing.